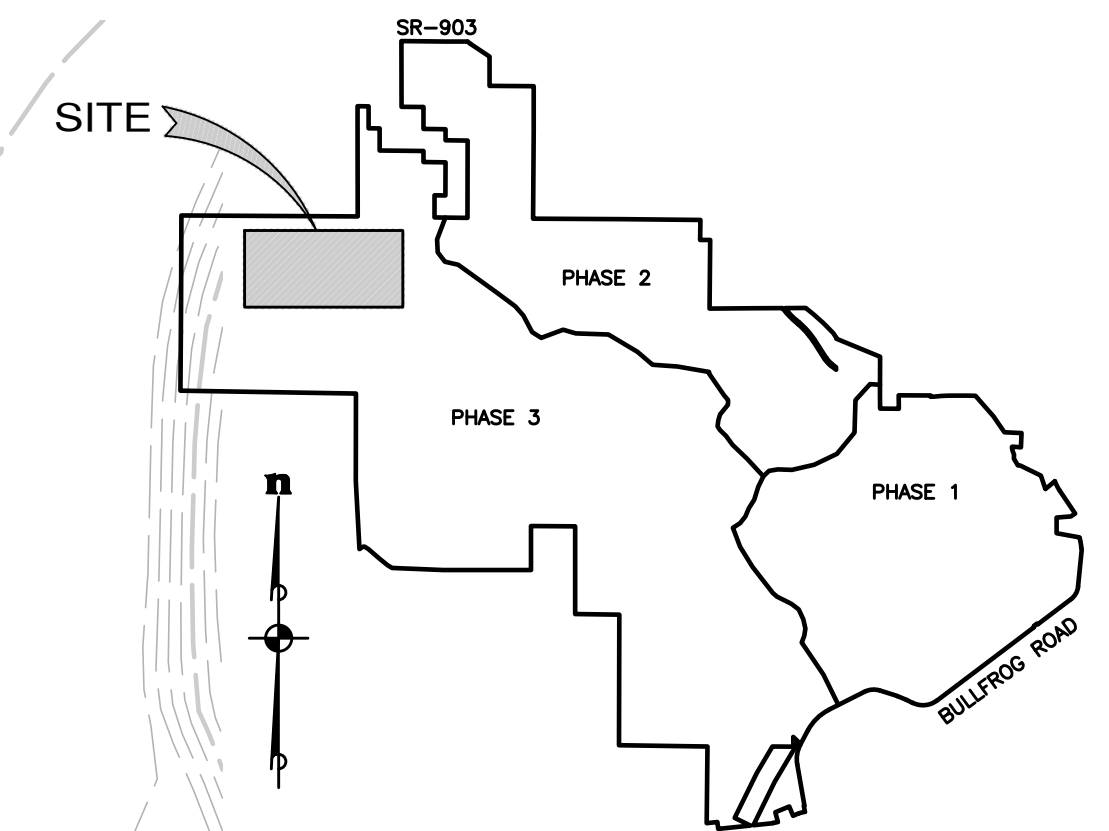
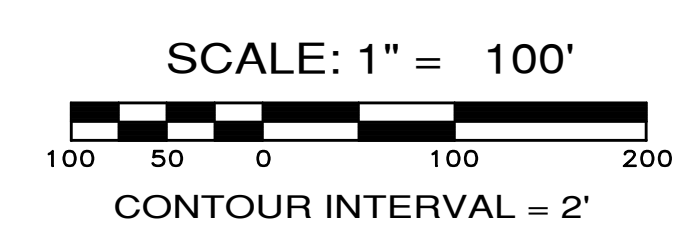
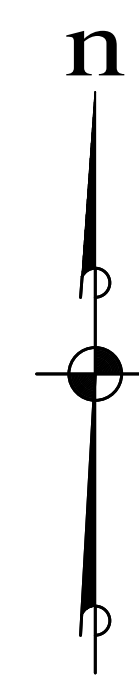


File: \\smc\ENR\ESM-0085\998\807\020\exhibit\EN-01.dwg
 Plotted By: eef hira
 9/20/2021 2:35 PM



VICINITY MAP
NOT TO SCALE



ESTIMATED EARTHWORK VOLUMES
 STRIPING: 8,800 CY (ASSUMED 12" NOT INCLUDED IN NUMBERS BELOW)
 CUT: 1,600 CY
 FILL: 16,300 CY
 NET: 14,700 CY (FILL)

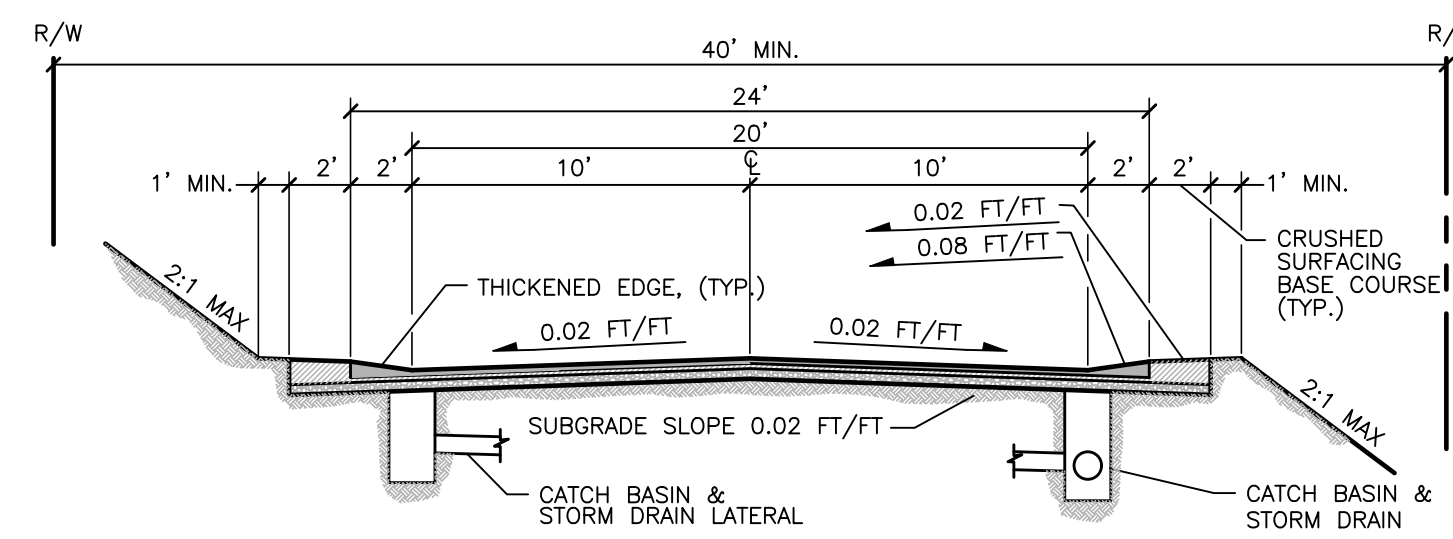
| REVISIONS | | |
|-----------|------------------|----|
| NO. | DESCRIPTION/DATE | BY |
| | | |
| | | |
| | | |

ESM CONSULTING ENGINEERS, LLC
 FEDERAL REGISTERED ENGINEER
 33400 8th Ave S, Suite 205
 Federal Way, WA 98003
 www.esmcivil.com
 Civil Engineering | Land Surveying | Project Management | Land Planning | Landscape Architecture
 Public Works |

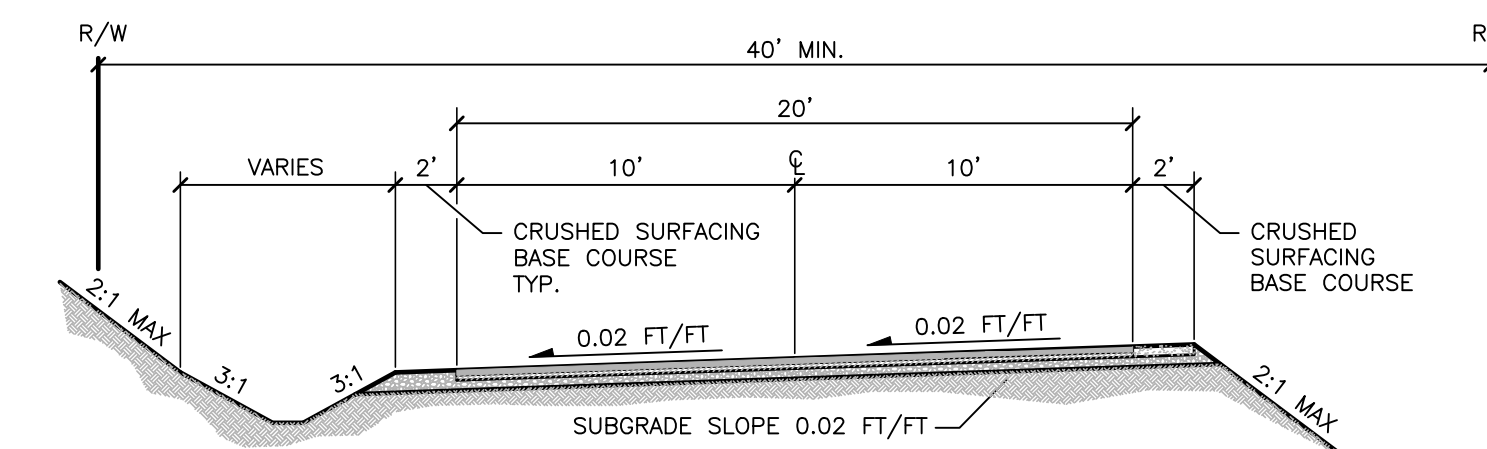
SUNCADIA RESORT LLC
PHASE 3 DIVISION 17
 CONCEPTUAL UTILITY PLAN
 WASHINGTON
 KITITAS COUNTY

| | |
|----------------|-------------|
| JOB NO.: | 998-718-016 |
| DWG. NAME: | EN-01 |
| DESIGNED BY: | LGB |
| DRAWN BY: | JH |
| CHECKED BY: | |
| DATE: | 08/16/2021 |
| DATE OF PRINT: | |

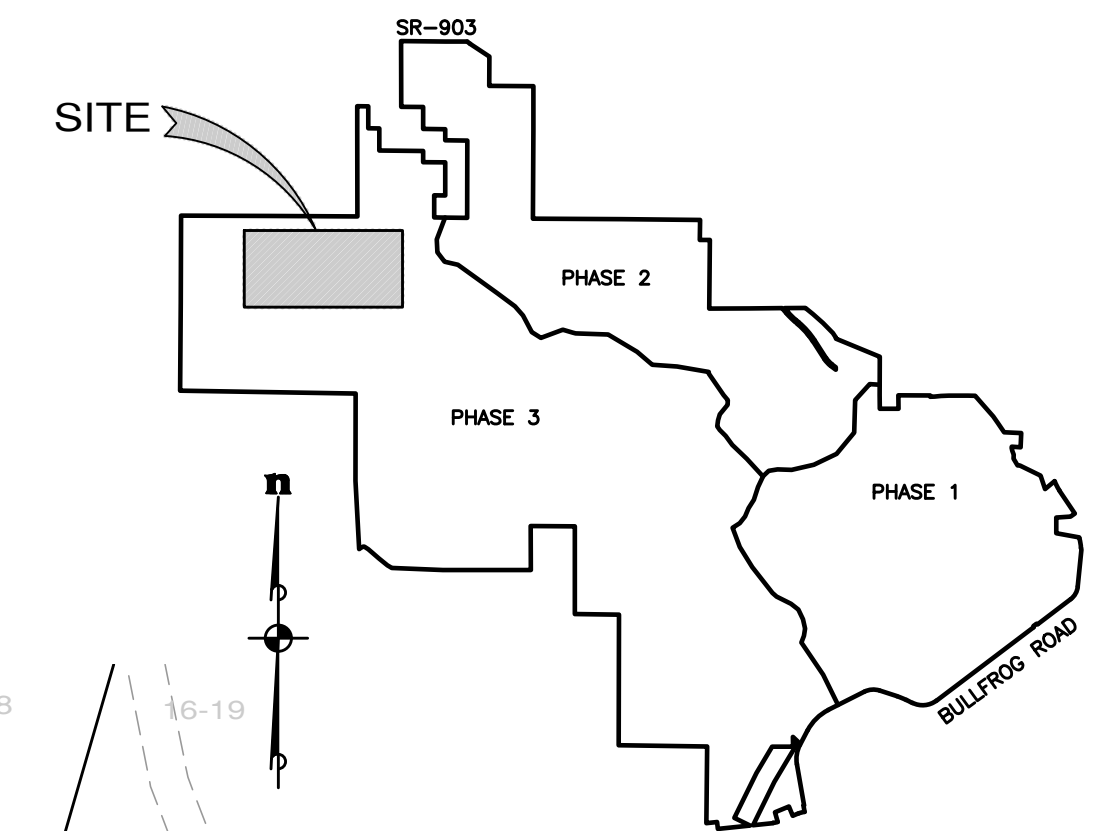
EN-01
 1 OF 2 SHEETS



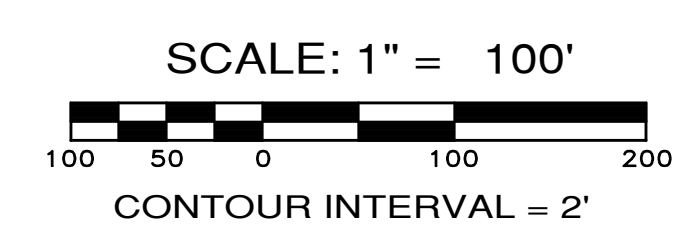
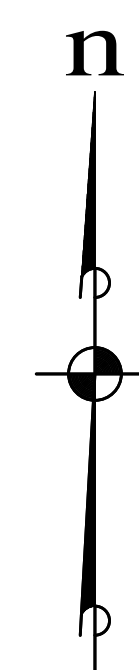
**TYPE R-II
MINOR RESIDENTIAL ROADWAY**
NOT TO SCALE



**TYPE R-II
MINOR RESIDENTIAL ALT #2 ROADWAY**
NOT TO SCALE



VICINITY MAP
NOT TO SCALE



| REVISIONS | | |
|-----------|------------------|----|
| NO. | DESCRIPTION/DATE | BY |
| | | |
| | | |
| | | |

ESM CONSULTING ENGINEERS, LLC
 33400 8th Ave S, Suite 205
 Federal Way, WA 98003
 www.esmcivil.com
 Civil Engineering | Land Surveying | Project Management | Landscape Architecture
 Public Works | Land Planning | Landscape Architecture

SUNCADIA RESORT LLC
PHASE 3 DIVISION 17
 CONCEPTUAL UTILITY PLAN
 WASHINGTON
 KITITAS COUNTY

JOB NO.: 998-807-020
 DWG. NAME: EN-01
 DESIGNED BY: LGB
 DRAWN BY: JH
 CHECKED BY:
 DATE: 08/16/2021
 DATE OF PRINT:
EN-01
 2 OF 2 SHEETS

File: \\smm\ENR\ESM-JOB\998-807-020\exhibits\17-01.dwg
 Plotted: 8/20/2021 2:35 PM
 Plotted By: Jeff Hiltz